



## Record DFA 127

Swing door operator - reliable, versatile and safe

The Record DFA 127 is a universal drive system for the automation of swing doors and the market leading operator in the UK, with over 10,000 units sold each year. Its broad range of applications makes it suitable for widely differing requirements.

### Applications

Especially suitable for offices, corridors, care homes, hospital wards, educational facilities, libraries, restaurants and hotels.

### Key benefits

- » Automates existing and new swing doors quickly and economically
- » Adjustable spring force enables the DFA to be adjusted on the spot to operate a range of door sizes with a spring closing force from EN4 to EN6
- » Extremely versatile, can be set up as either FULL POWER for heavier doors or LOW ENERGY for slow-moving traffic
- » Compact design, aesthetically appealing to suit all building styles
- » Silent in operation, making it suitable for quieter areas where low noise is essential
- » Robust and reliable, easy to maintain and service
- » Approved for use as a hold-open system

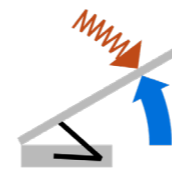


### Key features

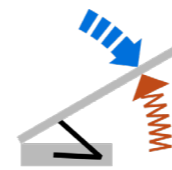
- » Extensive functionality without additional modules
- » Refined technology
- » Programmable microprocessor
- » Motion sensor activated
- » Ingenious mechanics, ensure optimum power deployment is achieved in the entire door swing area
- » Complies with the latest standards for safety requirements
- » Tested to 1 million cycles - 500K more than the required testing
- » Reliable Swiss quality - fit and forget
- » Popular for a reason - robust, versatile and simple to install
- » UK fire certification (30-60 min)
- » Compatible with access control systems
- » Suitable for escape routes

### Product range

#### Full power



#### Inverse



#### Fire



### Technical specifications

Door closer size	EN4-EN6 for standard arm and slide arm.
Opening time/closing time	3-20s/5 - 20s
Opening angle	70-1150 (INVERSE up to 950)s
Electrical power supply	230 VAC, 50/60Hz
Rated power	67W
Consumption in standby mode	13W
Dimensions (H x W x L)	85 x 124 x 600mm
Max. recess	Push 330mm Pull 200mm
Operating modes with internal BDI operating switch	Automatic operation Continuously open Manual operation
Operating modes BDE-D control panel with display (optional) In addition to the standard modes	Locked One-way traffic Operation lock



### Unimpeded disabled access

Safety features include 'hold-open' that offers barrier-free accessibility for those who struggle with mobility or in the event of a fire they can be used as emergency exits.

### DFA 127 Full Power for heavier doors

A more powerful option, this setting for the DFA 127 operator is capable of shifting doors that weigh hundreds of kilos with ease, leading to greater freedom in design.

### Compatible with fire alarm systems

In case of fire, a signal from the smoke and heat detector or fire alarm system triggers immediate closing off the passage, or can fail open to allow fresh air to circulate inside buildings, or to vent smoke and heat

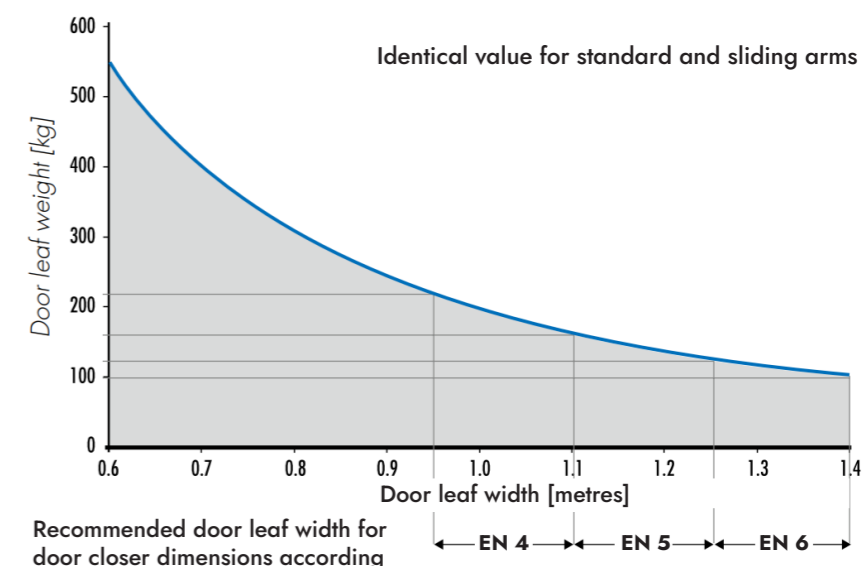
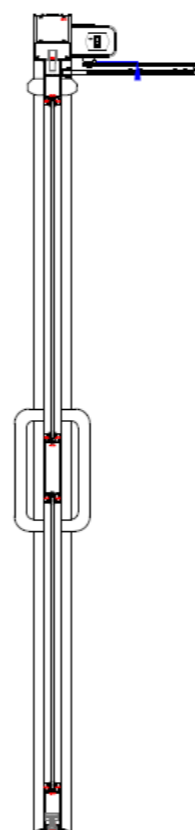
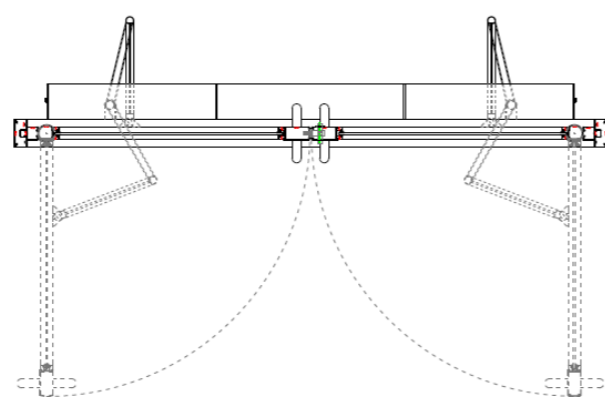
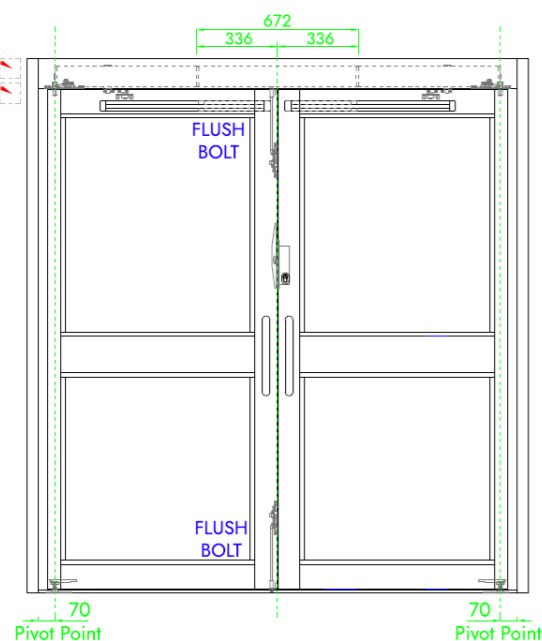
### Increased safety for elderly & disabled

For hospitals & care homes the DFA 127 provides additional safety with a reduced energy output option to ensure safe passage for those with limited mobility.

### Finishes

Available in standard stainless steel or for an additional cost, powder coated aluminium in over 200 RAL colours.

MAIN CONTRACTOR TO SUPPLY & FIT  
 1No. 240V, 13amp  
 SWITCHED FUSED SPUR WITH CPEAN SUPPLY  
 1No. FIRE ALARM INTERFACE



### Accessories

#### BDE-D Electronic Control Unit

A convenient and user-friendly remote control unit for the intuitive control and programming of doors with Record operators.

#### Record BLS 60 Touchless Switch

This switch ensures hygienic use by automatically opening the door as you approach, eliminating the need for any hand contact.

#### Record Battery Back Up

The Record Battery Back Up is both powerful and compact. It is ideal for single door openings to provide uninterrupted operation in the event of a power failure.



For more information

Speak to our sales team

